

Components

SOURCE:

<https://support.zortrax.com/m200-components/>

Table Of Contents

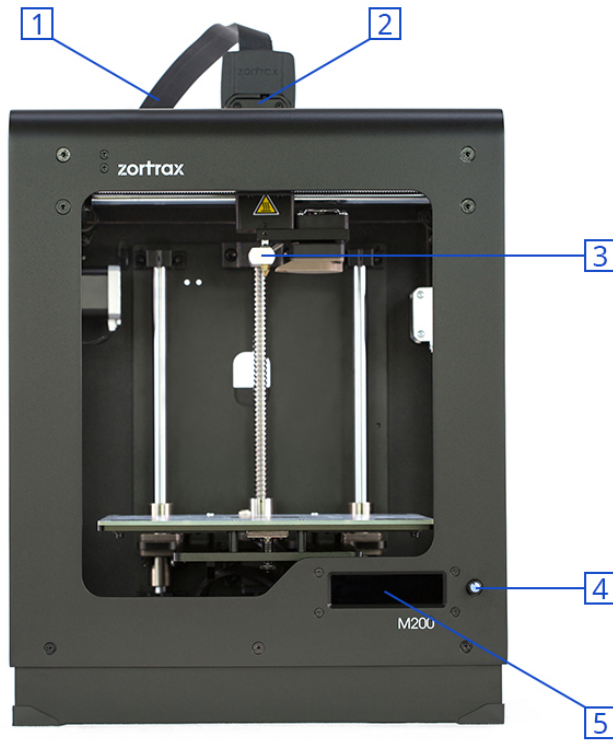
Front View

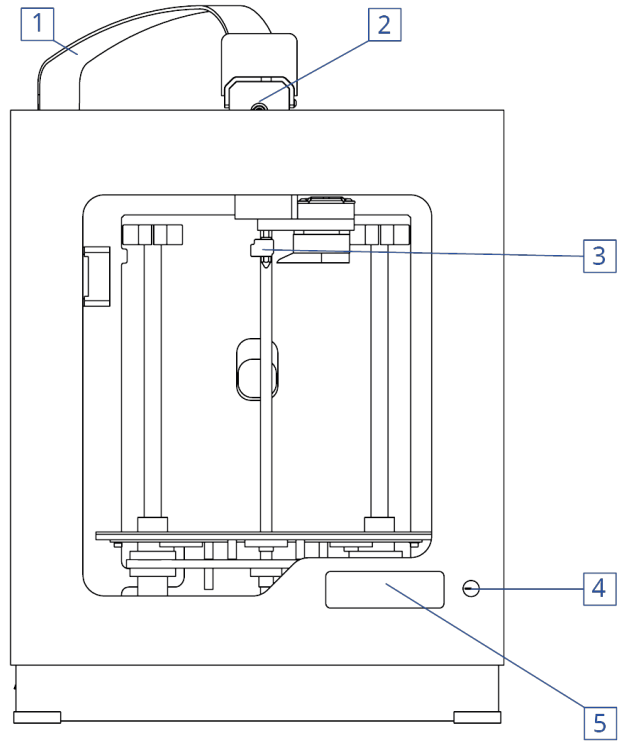
Left-Side View

Right-Side View

Front View

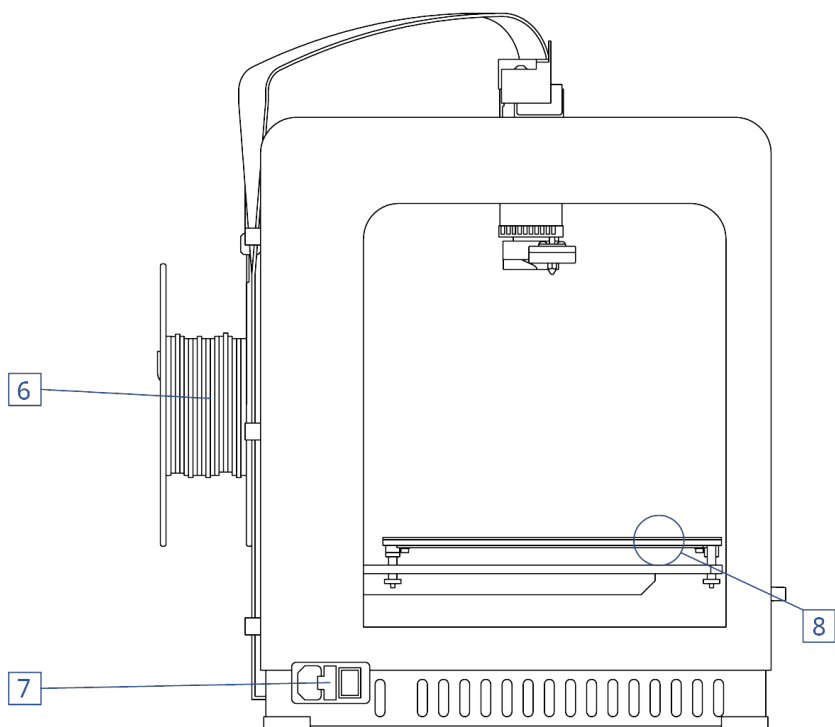
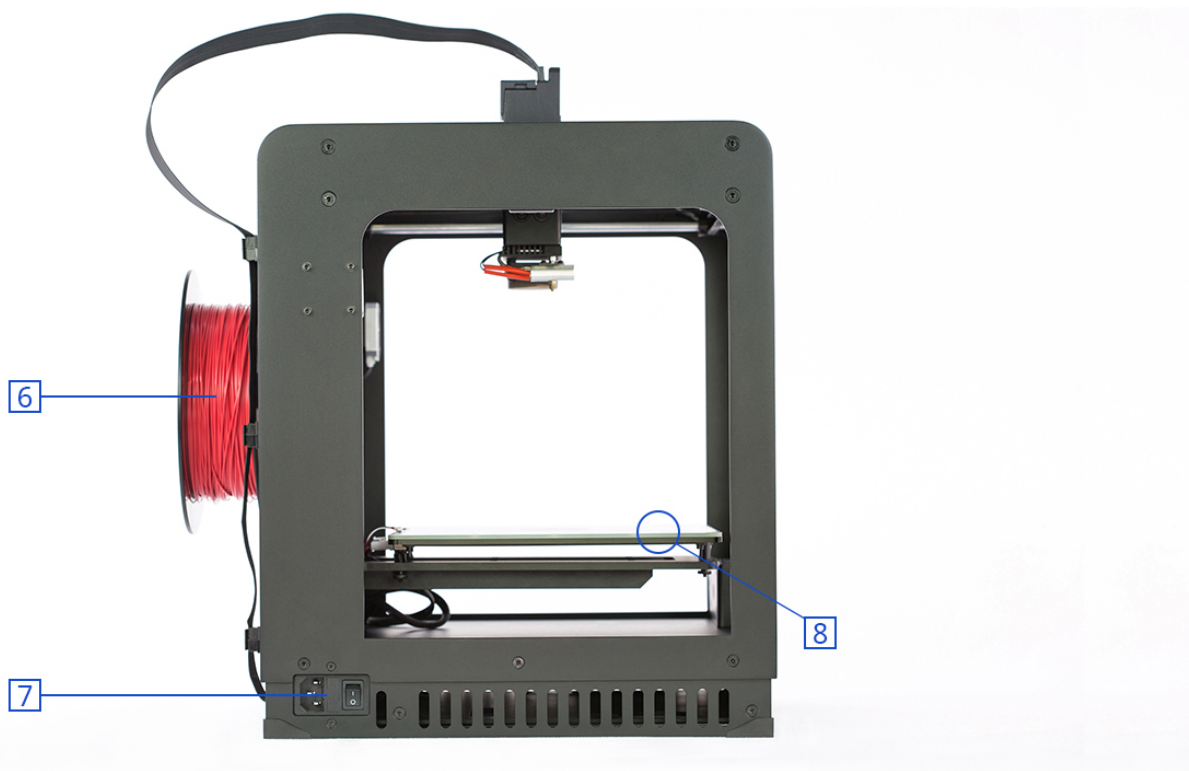
- 1 Extruder Cable
- 2 Extruder
- 3 Hotend
- 4 Knob
- 5 Display





Left-Side View

- 6 Material Spool
- 7 Power Connector and Switch
- 8 Platform



Right-Side View

- 9 Side Cover
- 10 Spool Holder

