

Components

SOURCE:

<https://support.zortrax.com/m300-dual-components/>

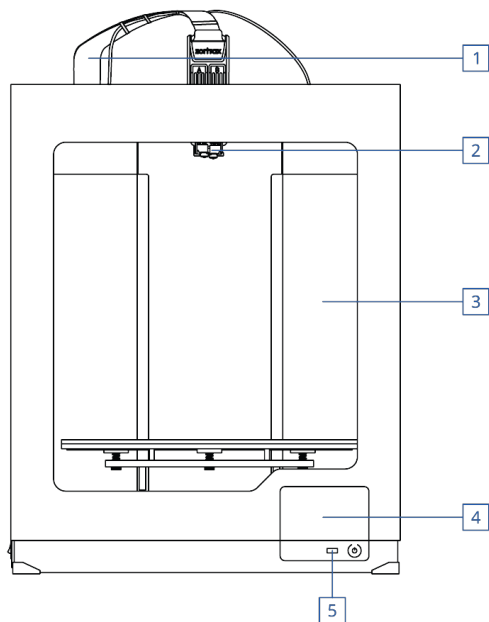
Table Of Contents

Front View

Back View

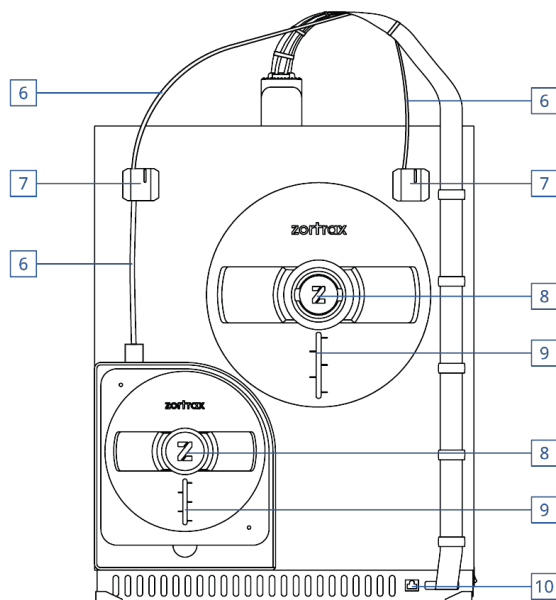
Left-Side View

Front View



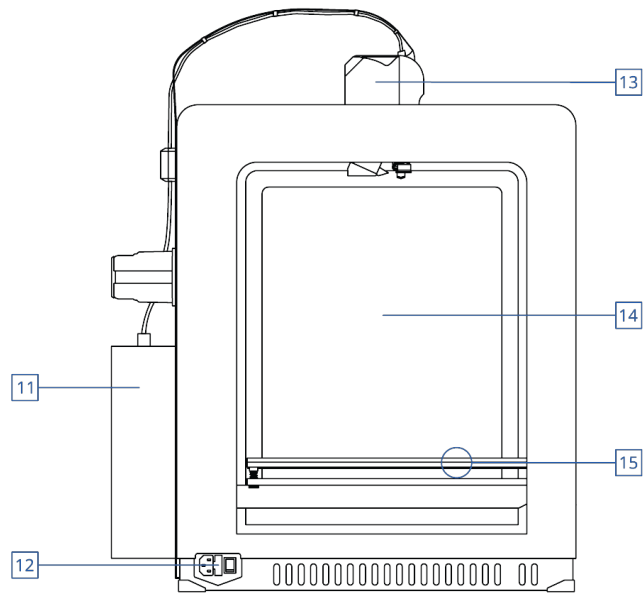
- 1 Extruder Cable
- 2 Dual Hotend
- 3 Z-Axis Cover
- 4 Touchscreen
- 5 USB Port

Back View



- 6 Material Guide
- 7 Material Endstop
- 8 Spool Holder
- 9 Material Spool
- 10 Ethernet Port

Left-Side View



- 11 Material Box
- 12 Power Connector and Switch
- 13 Extruder
- 14 Side Cover
- 15 Platform