

Components

SOURCE:

<https://support.zortrax.com/m300-plus-components/>

Table Of Contents

Front View

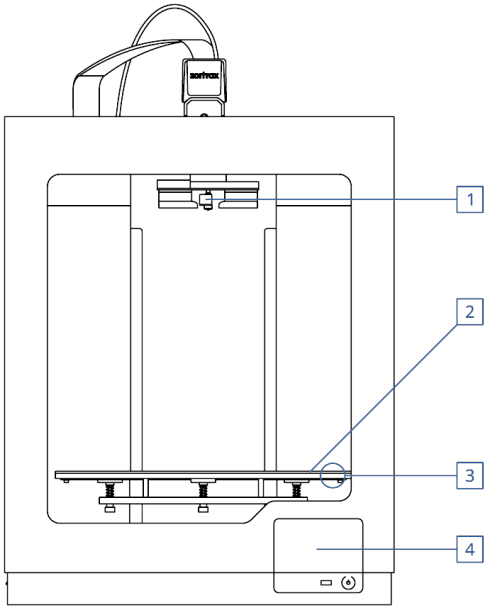
Back View

Left-Side View

Front View

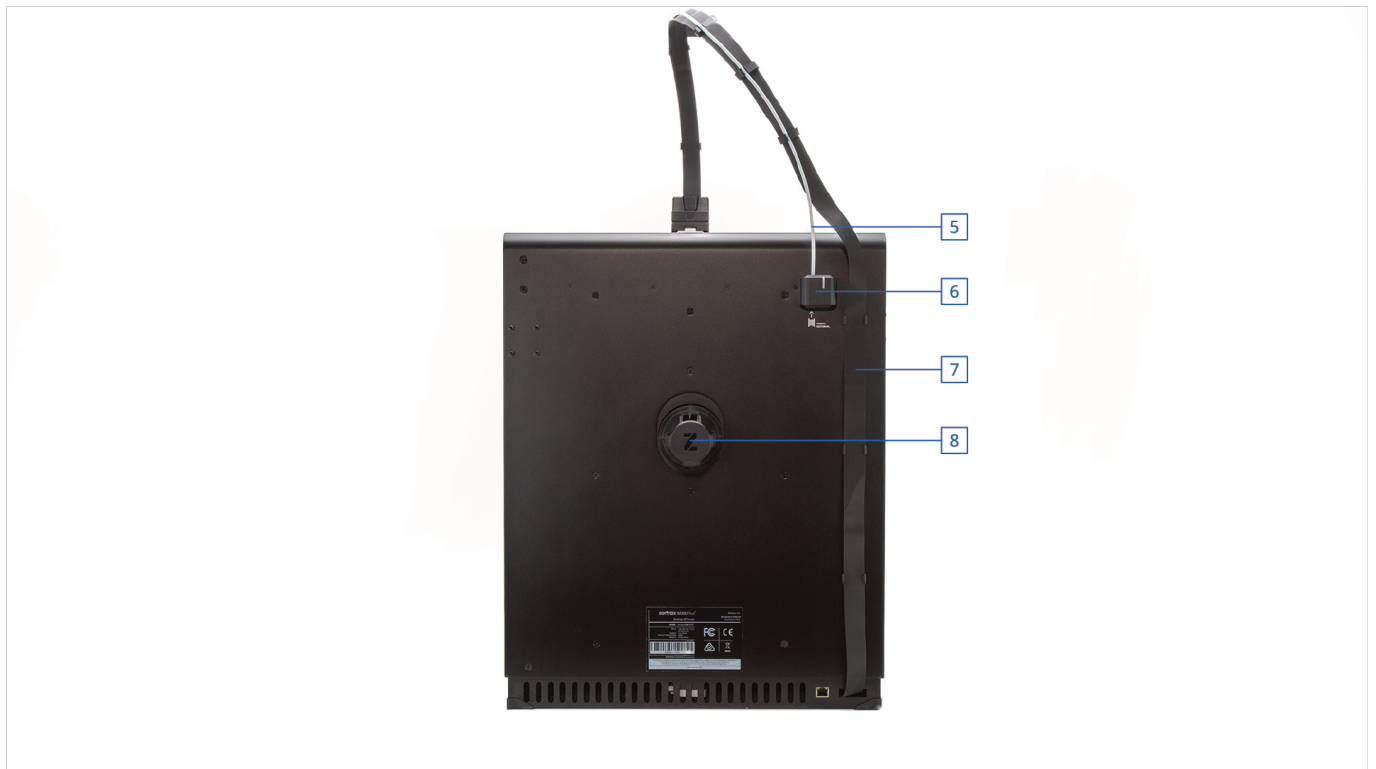
- 1 Hotend
- 2 Perforated Plate
- 3 Platform
- 4 Touchscreen

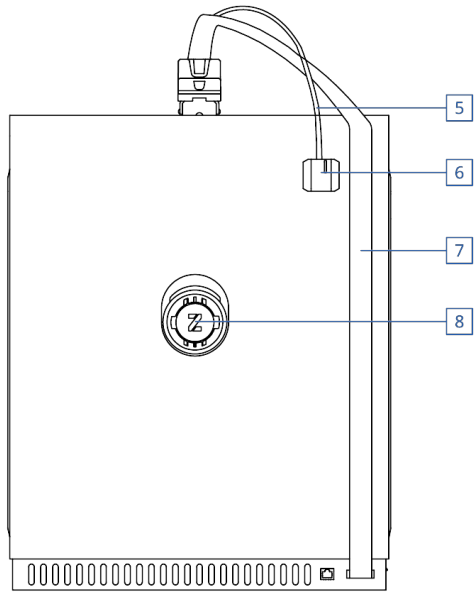




Back View

- 5 Material Guide
- 6 Material Endstop
- 7 Extruder Cable
- 8 Spool Holder





Left-Side View

- 9 Material Spool
- 10 Power Connector and Switch
- 11 Extruder
- 12 Side Cover

