

Packing

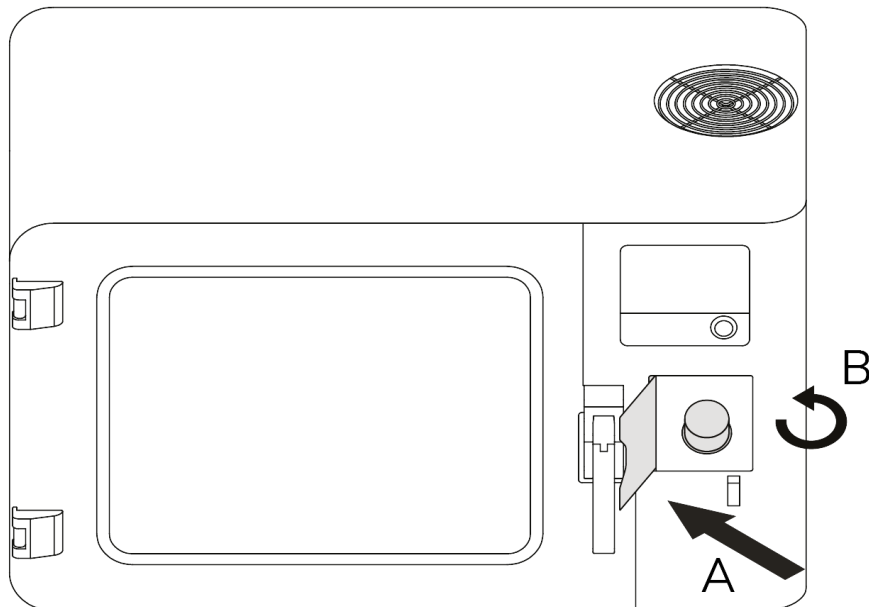
SOURCE:

<https://support.zortrax.com/apoller-packing/>

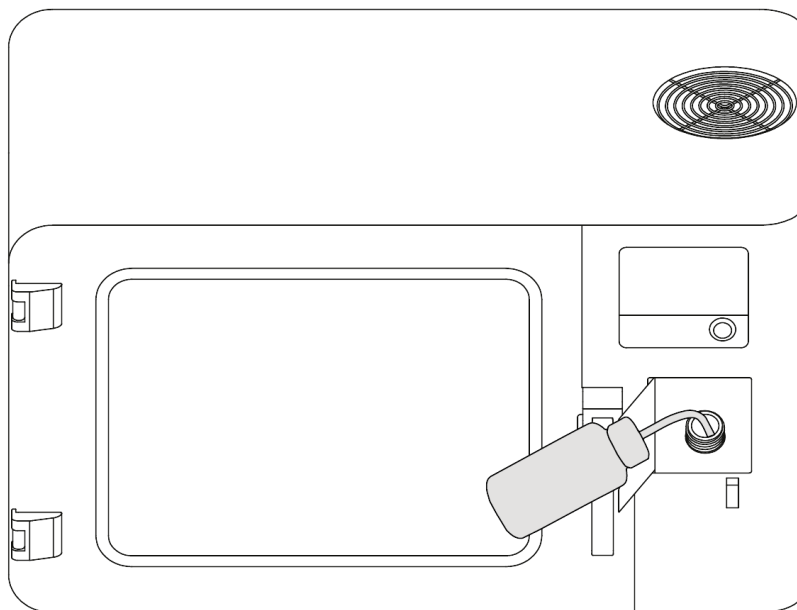
Table Of Content

Emptying the Tank
Packing

Emptying the Tank

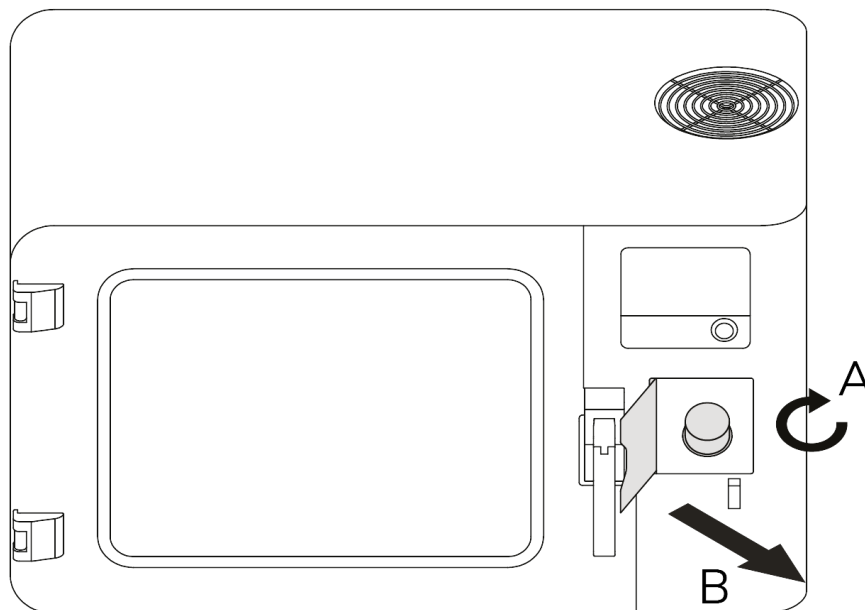


Open the filler cover (A) and unscrew the cap (B).

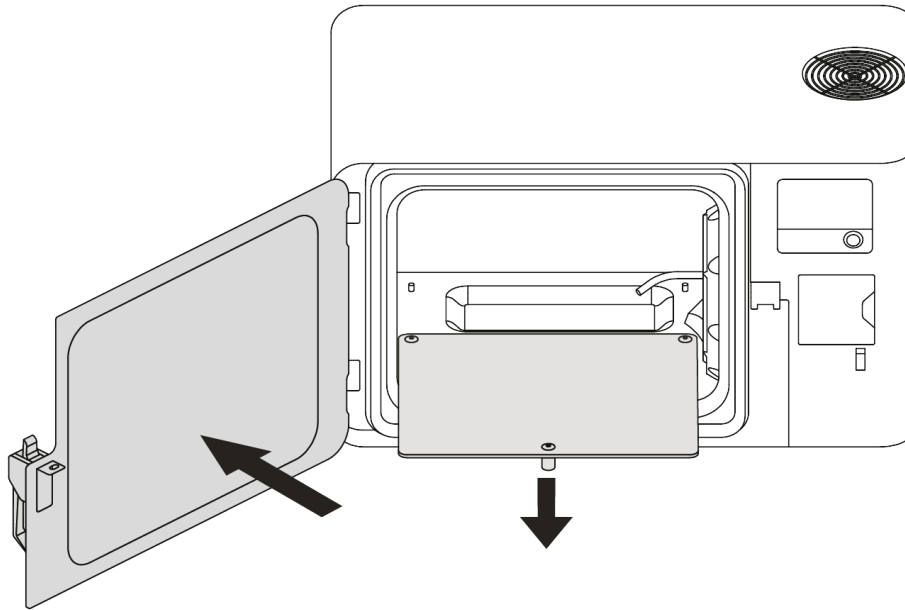


Prepare the wash bottle delivered with the device. Squeeze it and put its nozzle in the

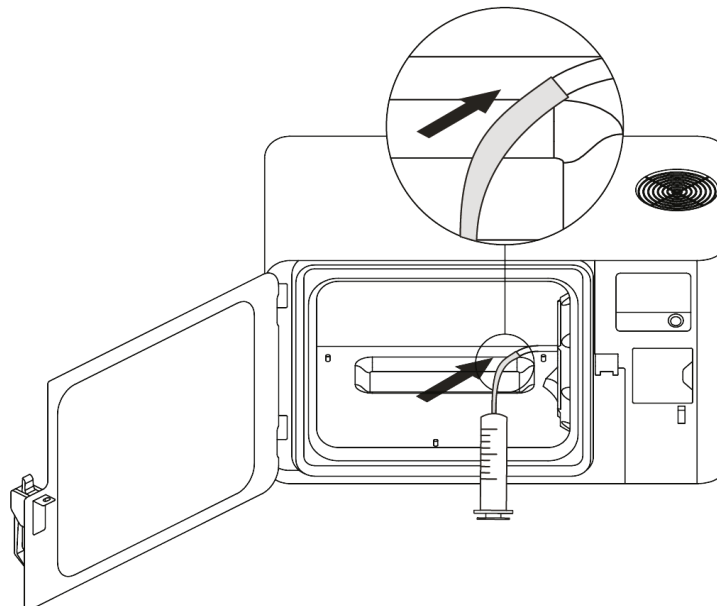
solvent tank. Release the bottle to retract as much solvent as possible.



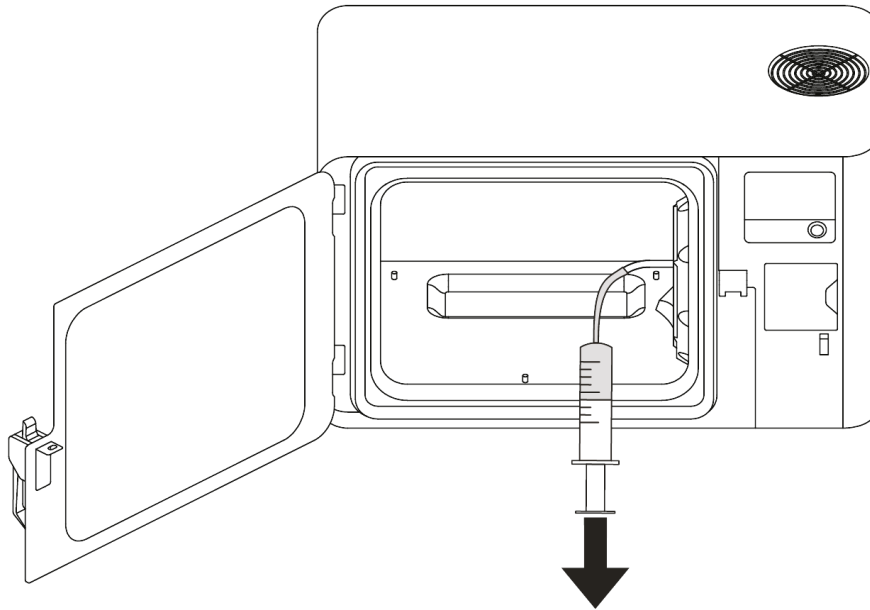
Tightly screw the filler cap. Make sure the cap is properly attached and then tightened (A). Close the filler cover (B).



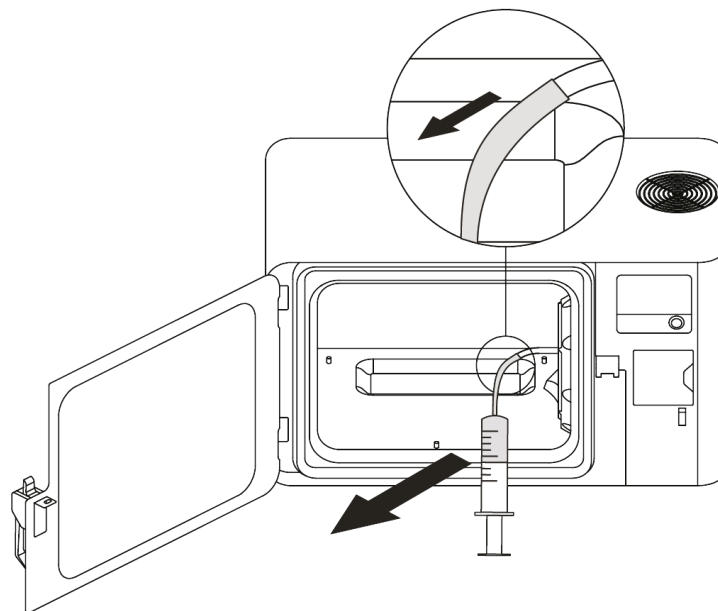
Open the chamber door (A) and remove the platform (B). Place the platform in the protective foam.



Put the syringe tube on the drain tube inside the device and start the procedure of emptying the tank. Select *Tools* and *Empty the solvent system*.

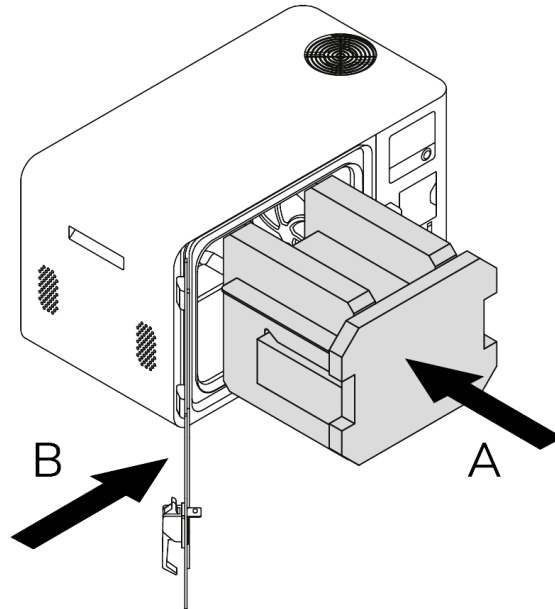


Retract as much solvent as possible and select *Done* on the touchscreen.

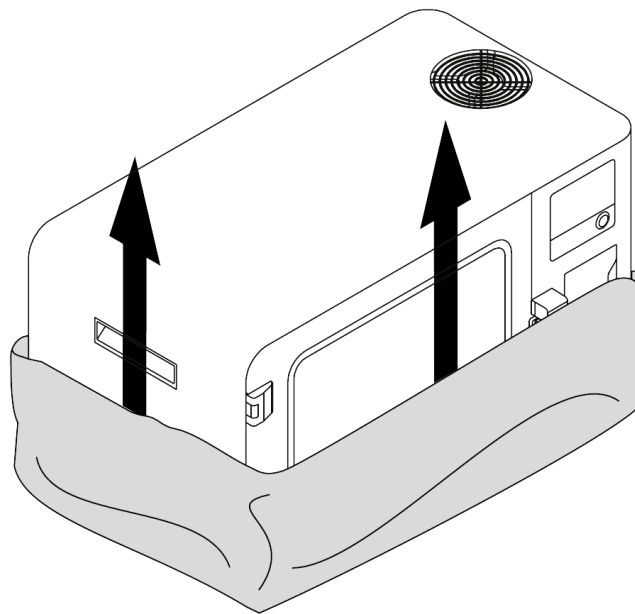


Remove the syringe from the device and pour the liquid into the container with solvent.

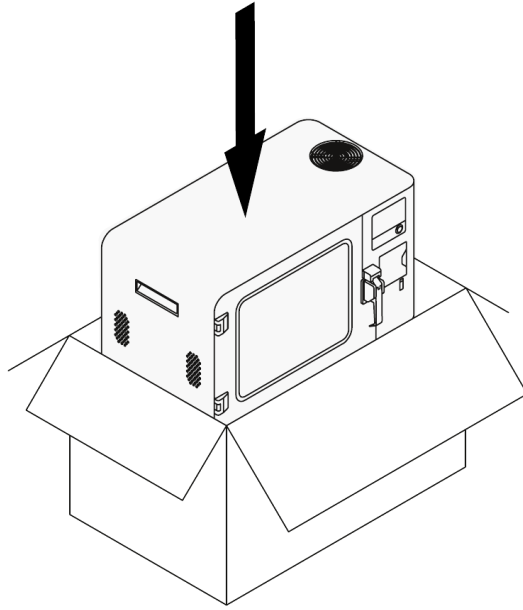
Packing



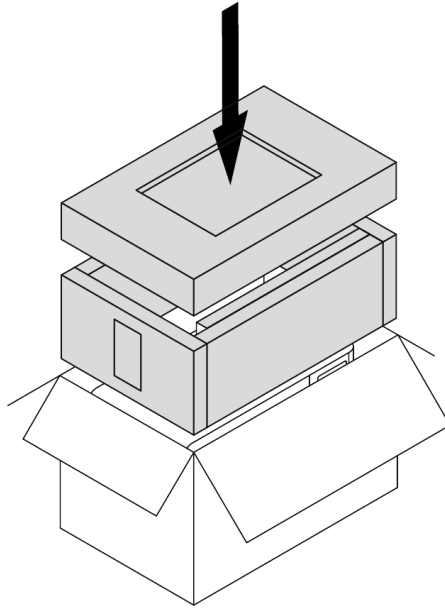
Place the protective foam with the platform inside the chamber (A). Close the door (B).



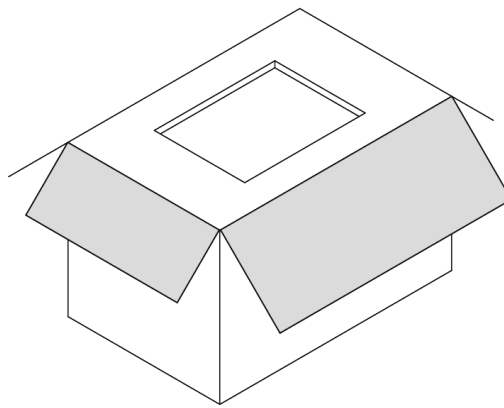
Wrap the device in foil.



Put the device in the box.



Place the side and upper cushioning.



Close and tape the box.

