

HEPA Cover Unpacking & Setting Up

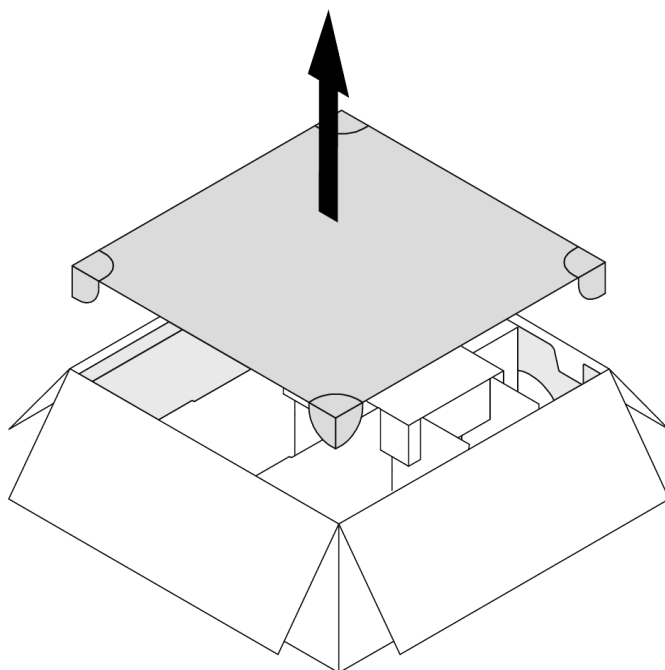
SOURCE:

<https://support.zortrax.com/hepa-cover-unpacking-setting-up/>

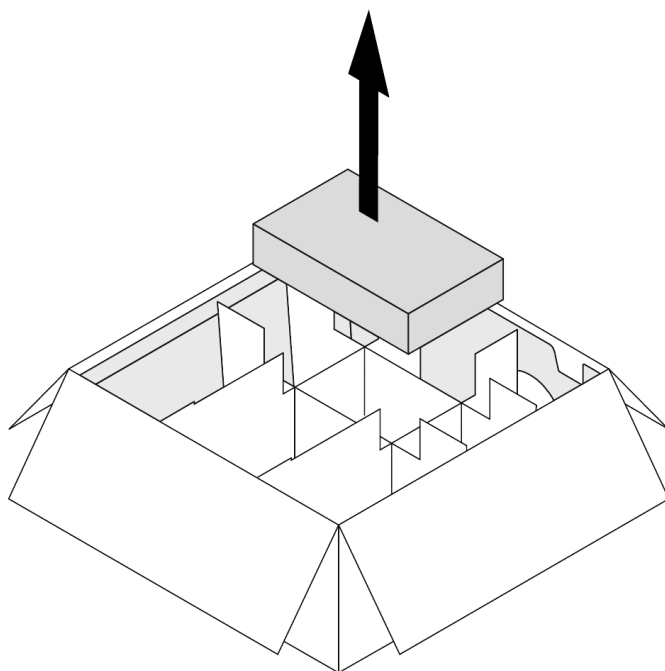
Table Of Content

Unpacking
Setting Up
Operating

Unpacking

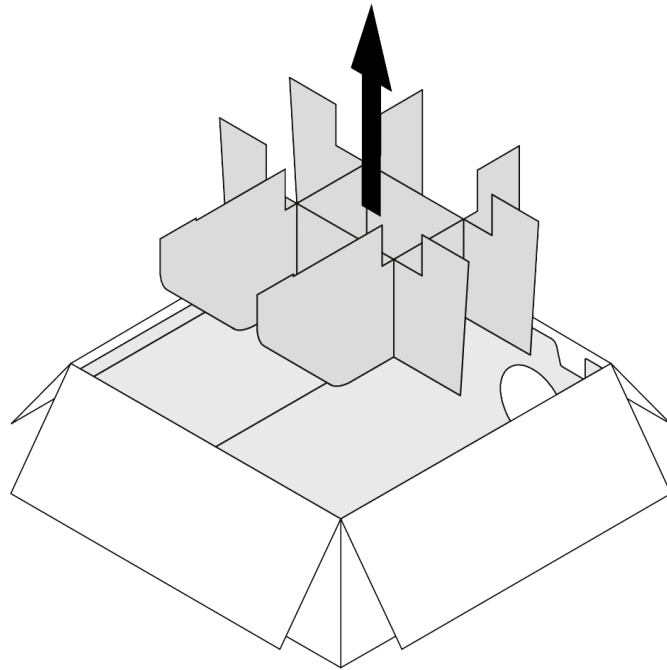


Open the box and remove the protective materials.

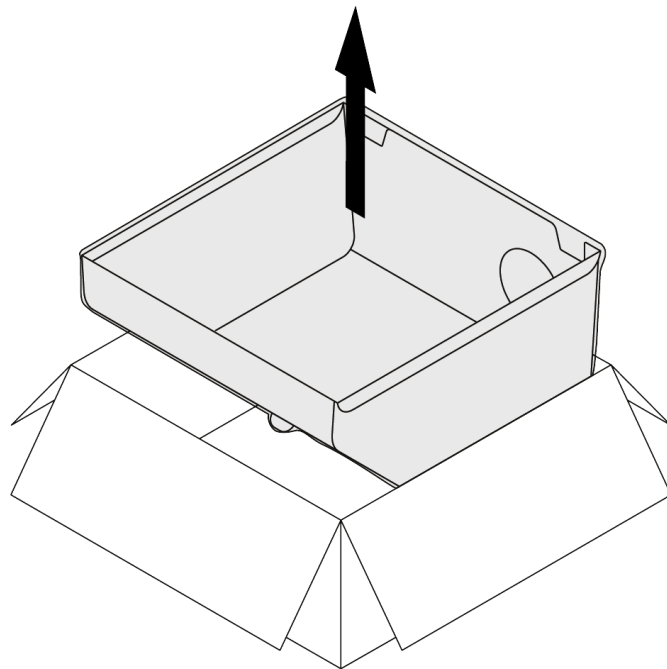


Remove the box with accessories. The box contains a filter module and a power supply

unit.

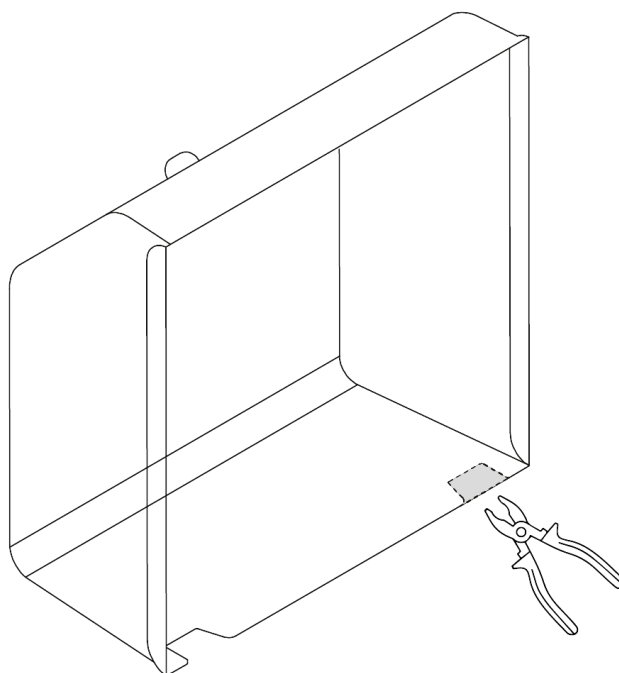


Remove the fillers.

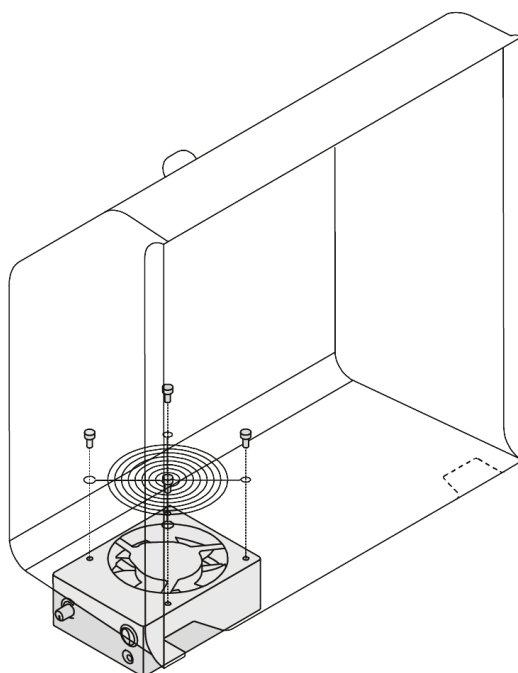


Take out the Zortrax HEPA Cover and remove the bubble wrap.

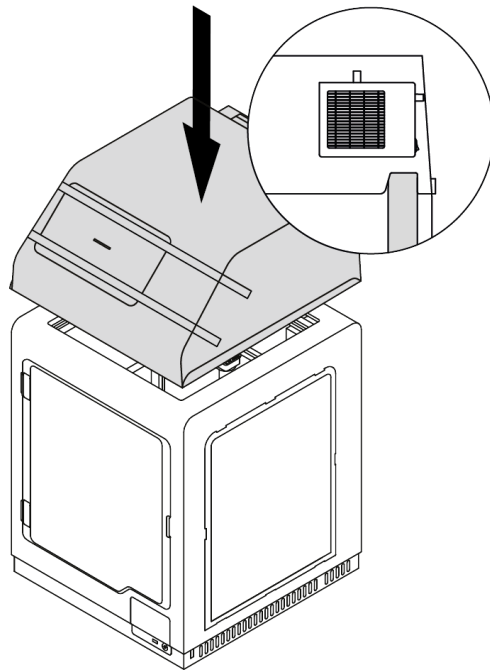
Setting Up



Use pliers to break off the plastic in the place marked in the graphic. This way, you will make a hole for the right material guide (only when using the M300 Dual).

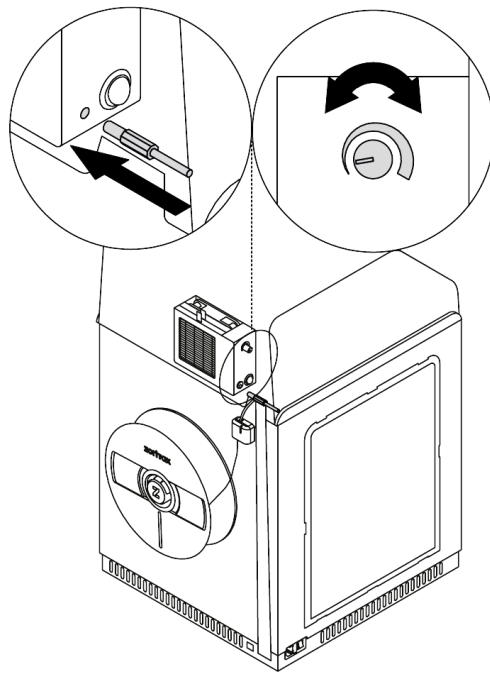


Attach the filter module to the back of the cover and secure it with the four screws.

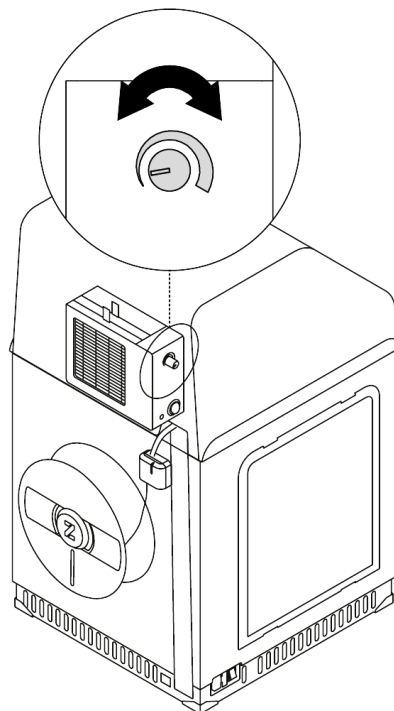


Put the Zortrax HEPA Cover on the printer and make sure the extruder cable fits in the hole at the back of the cover.

Operating



Plug in the power cable to the filter module.



Adjust the knob to set the fan speed. Lower speed gives better warping protection,

whereas higher speed provides better air filtration.

Cleaning tip: wipe the HEPA Cover with a soft, wet cloth. Do not use detergents.