

Components

SOURCE:

<https://support.zortrax.com/m200-plus-components/>

Table Of Content

Front View

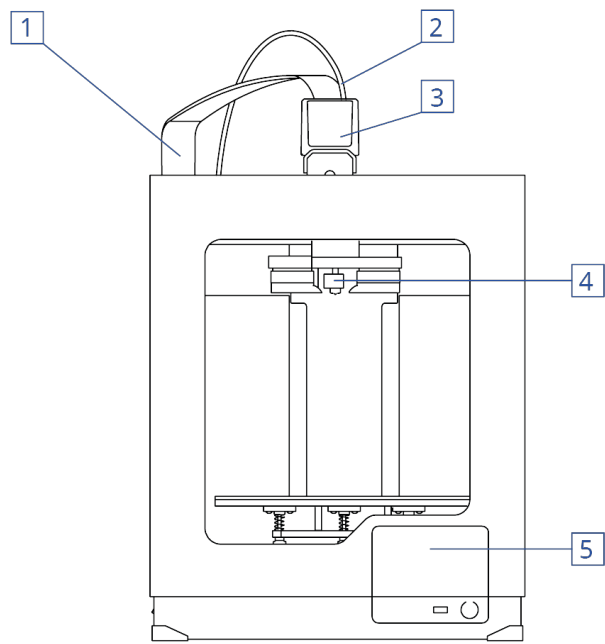
Left-Side View

Back View

Front View

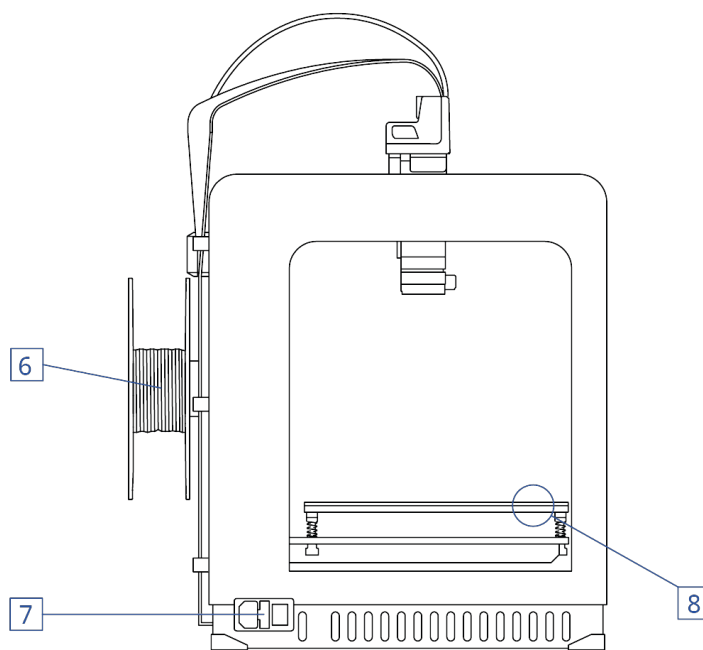
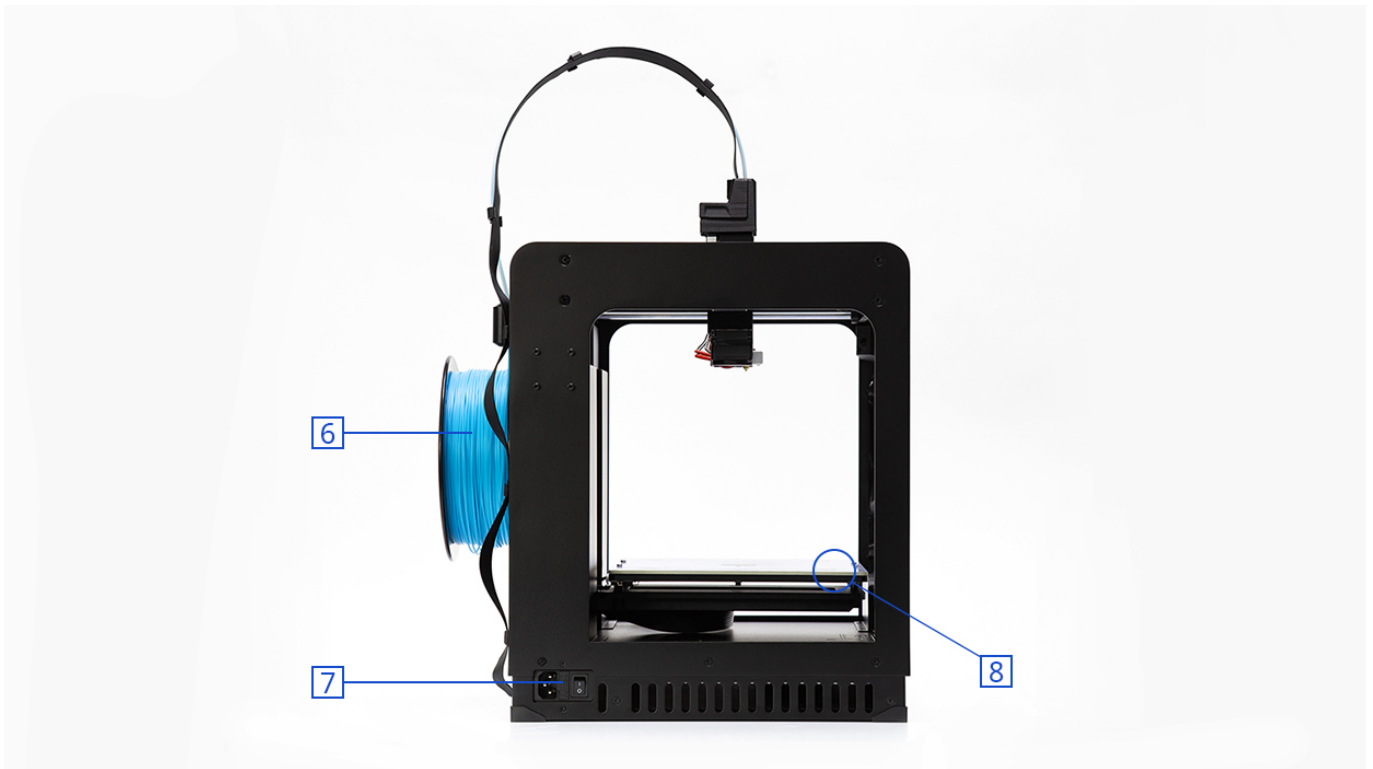
- 1 Extruder Cable
- 2 Material Guide
- 3 Extruder
- 4 Hotend
- 5 Touchscreen





Left-Side View

- 6 Material Spool
- 7 Power Connector and Switch
- 8 Platform



Back View

- 9 Spool Holder
- 10 Material Endstop
- 11 Ethernet Port

