

Packing

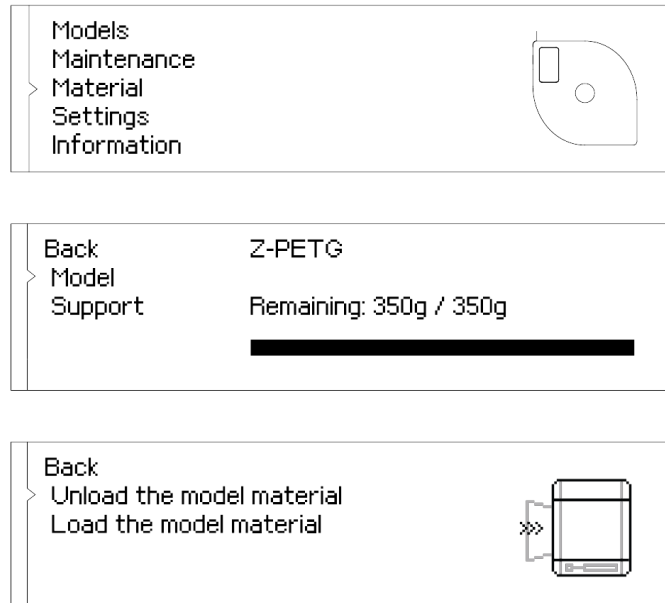
SOURCE:

<https://support.zortrax.com/inventure-packing/>

Table Of Contents

Unloading the Model Material
Unloading the Support Material
Unplugging the Power Cable
Securing the Extruder
Wrapping the Printer
Putting the Printer in the Box
Placing the Top Cushioning
Packing the Printer
Taping the Box

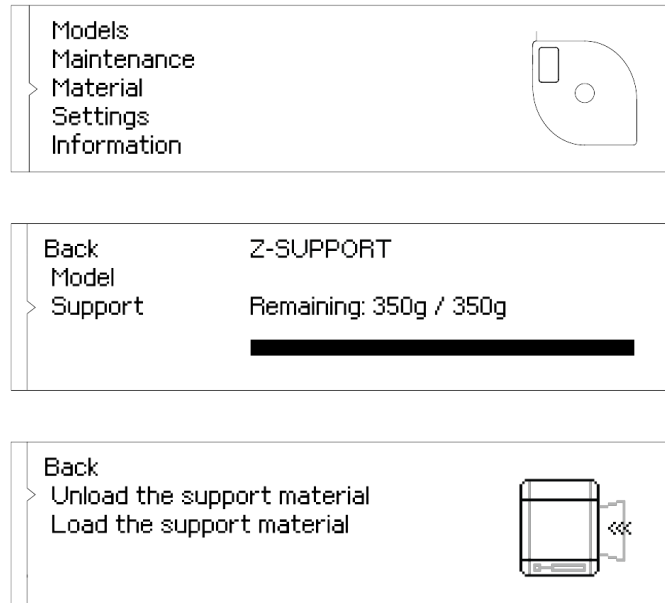
Unloading the Model Material



From the menu choose *Material*, then *Model*, and *Unload the model material*. Follow the instructions provided on the display.

Open the left door by pressing the release buttons, turn the lock to OPEN, and remove the cartridge from the printer.

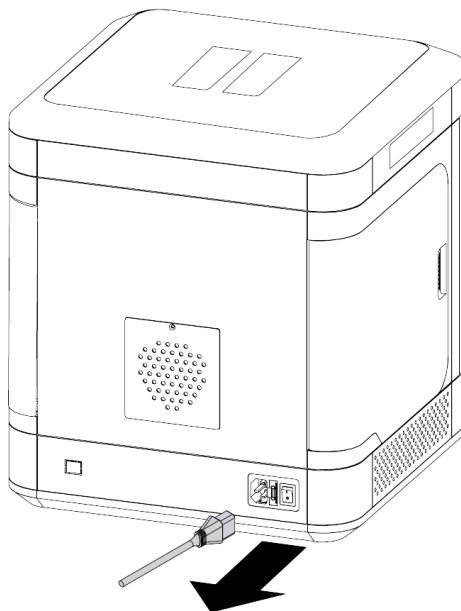
Unloading the Support Material



From the menu choose *Material*, then *Support*, and *Unload the support material*. Follow the instructions provided on the display.

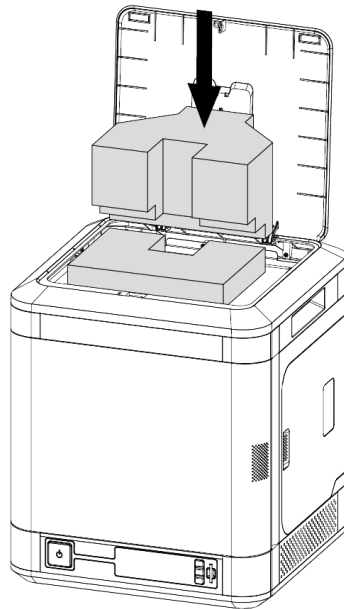
Open the right door by pressing the release buttons, turn the lock to OPEN, and remove the cartridge from the printer.

Unplugging the Power Cable



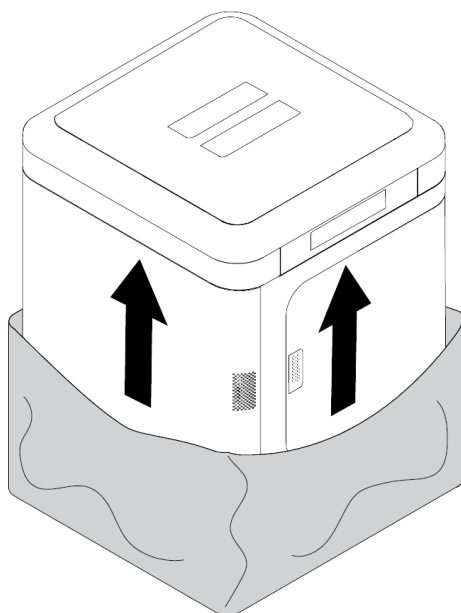
Turn the printer off and unplug the power cable.

Securing the Extruder



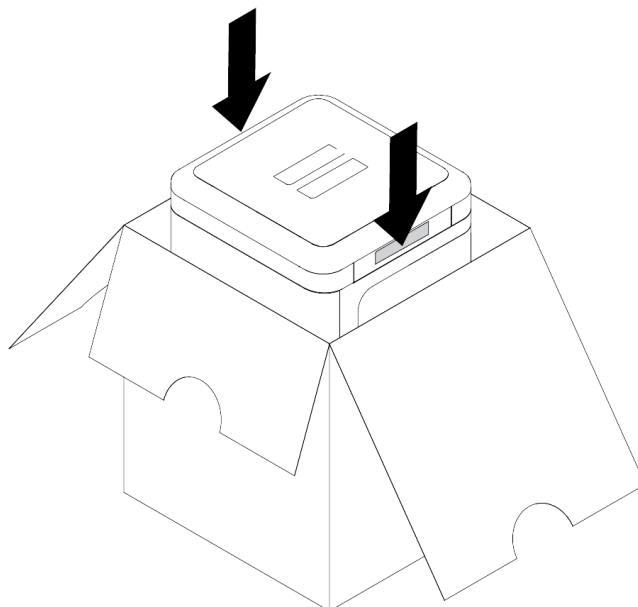
Secure the extruder with the plastic foams.

Wrapping the Printer



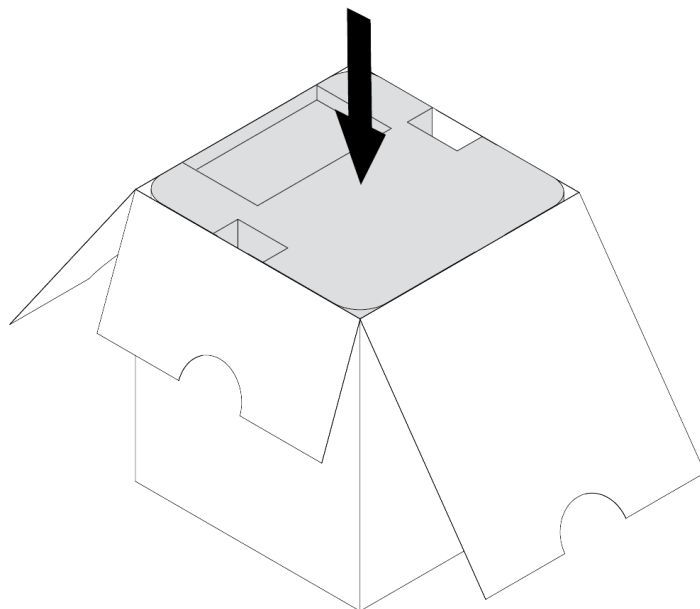
Wrap the printer in security foil.

Putting the Printer in the Box



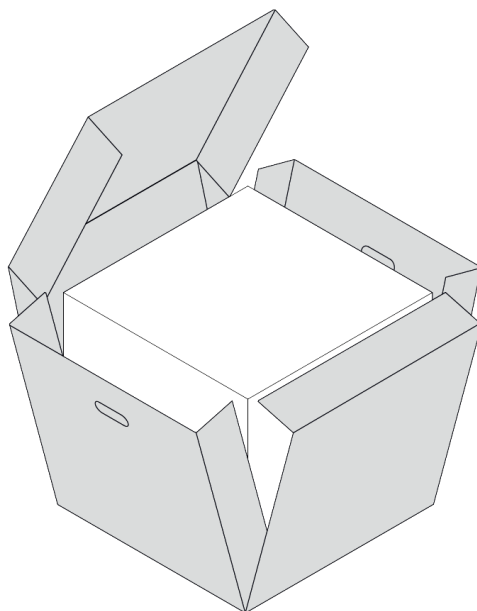
Place the cushioning at the bottom of the box. Use the handles to put the printer inside the box.

Placing the Top Cushioning



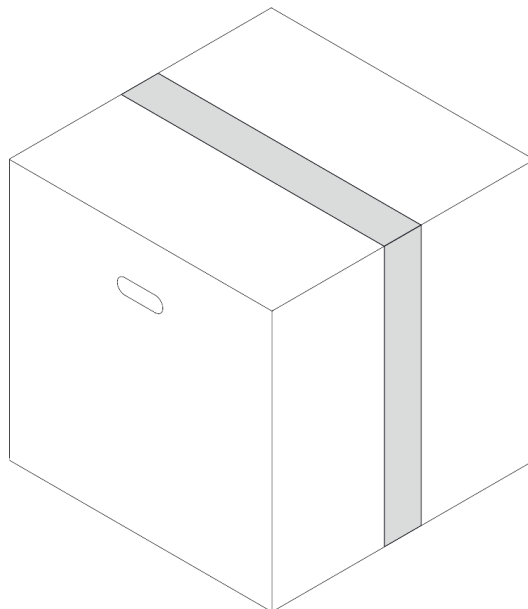
Place the top cushioning on the printer.

Packing the Printer



Pack the printer using the provided box.

Taping the Box



Tape the box.