

# Maintenance Guide

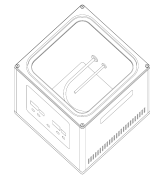
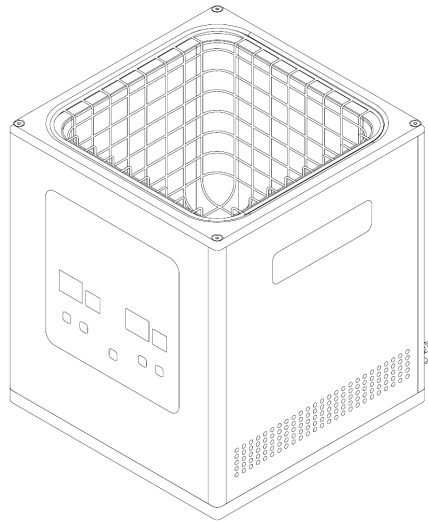
SOURCE:

<https://support.zortrax.com/dss-maintenance-guide/>

## Table Of Content

Main

# Main



ACTIVITY	FREQUENCY	SOLUTIONS TO THE NECESSARY PROBLEMS	ACCESSORIES
Water exchange	Every time before starting the process of dissolving the support structures or once the water becomes more and more murky/milky while removing support from a big model	Empty the device. Rinse and fill it with water	-
Cleaning the interior of the device (the heater and the temperature sensor) and the rinsing basket	During each water exchange	Fill the device with a little amount of water and clean the heater and the temperature sensor with a brush. Clean the basket under running water	A brush