

# Components

SOURCE:

<https://support.zortrax.com/m300-components/>

## Table Of Content

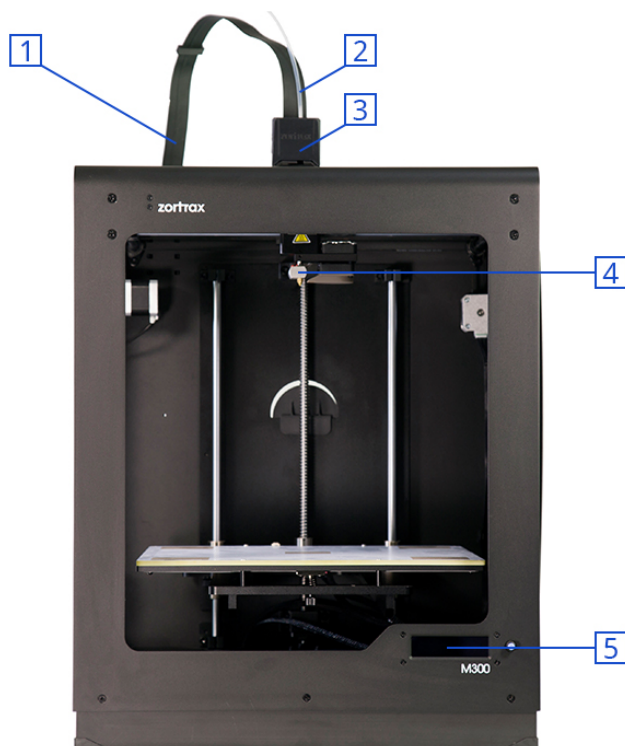
Front View

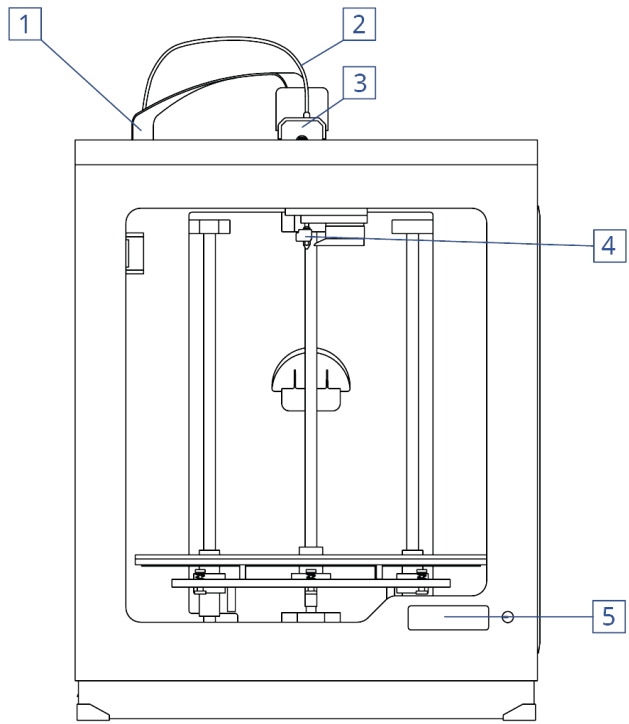
Left-Side View

Right-Side View

## Front View

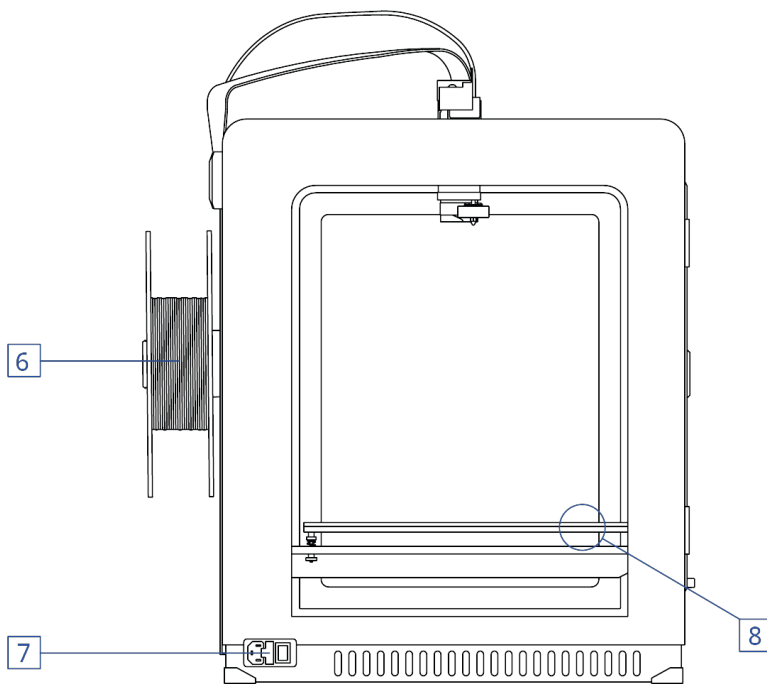
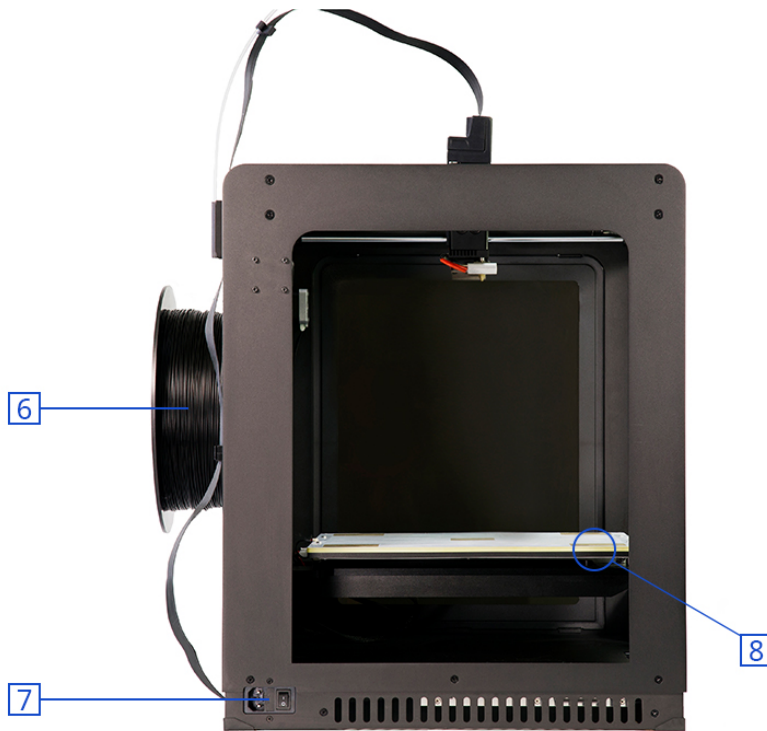
- 1 Extruder Cable
- 2 Material Guide
- 3 Extruder
- 4 Hotend
- 5 Display





# Left-Side View

- 6 Material Spool
- 7 Power Connector and Switch
- 8 Platform



# Right-Side View

- 9 Side Cover
- 10 Spool Holder

