

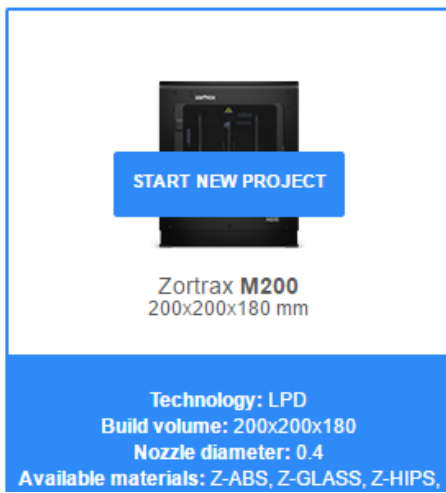
# Z-SUITE 2.0 Manual

SOURCE:

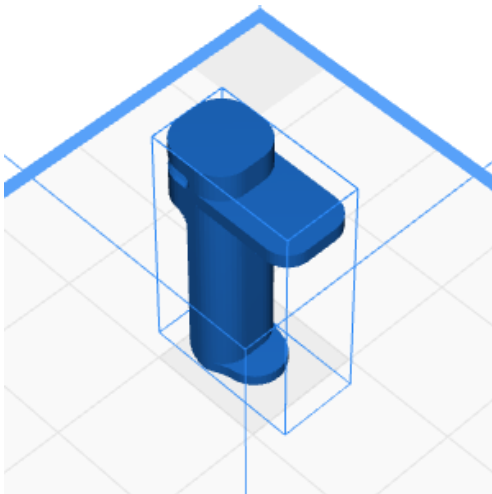
<https://support.zortrax.com/z-suite-2-0-manual/>

The Z-SUITE is an application created specifically for Zortrax devices. The program prepares models for 3D printing by saving the projects in the .zcode format. Apart from that, the Z-SUITE allows to change and adjust the print settings, such as the size of the model, layer thickness, the type of infill or how many support structures will be generated. The following categories describe step by step all options of our software. The system requirements for the Z-SUITE are listed below.

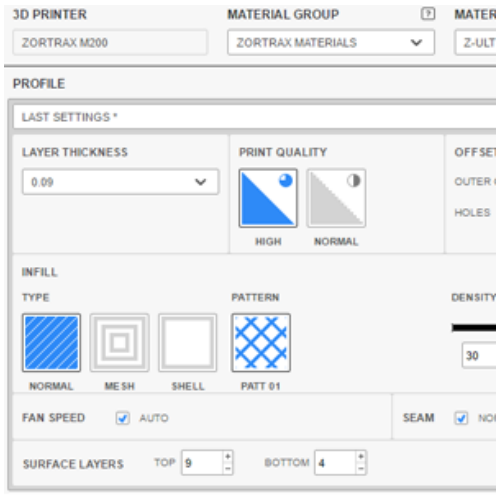
## Select a category:



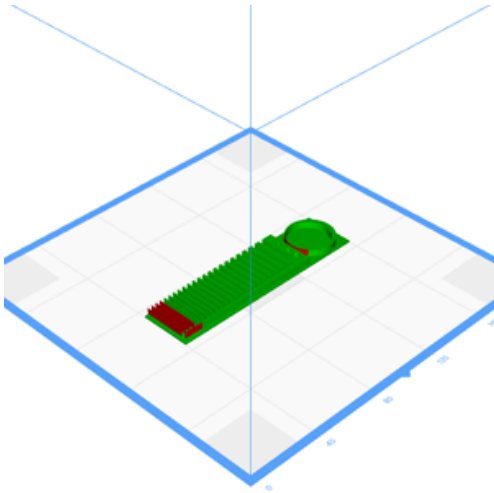
## [MEET Z-SUITE 2.0](#)



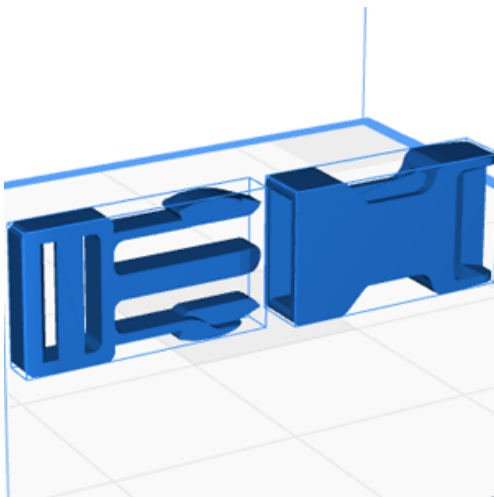
## [WORKING WITH MODELS](#)



## [PRINT PREPARATION](#)



## [MODEL ANALYSIS & SUPPORT ADJUSTMENTS](#)



## TIPS & TRICKS

### Z-SUITE 2.0 requirements:

#### Minimum system requirements:

Central Processing Unit	Intel / AMD (2,0+ GHz)
Graphics Processing Unit	Intel HD Series GT2+ Tier / AMD APU A4
RAM Memory	4GB
Operating System	Windows (Vista/7/8/8.1/10)

#### Recommended system requirements:

Central Processing Unit	Intel i3-i7 or equivalent AMD (3,0+ GHz)
Graphics Processing Unit	GeForce GT 730+ / AMD R7 series+
RAM Memory	8GB+
Operating System	Windows (7/8.1/10)

#### Supported File Formats\*

.STL, .OBJ, .3MF\*\*, .DXF\*\*

\*In the case of computers that do not comply with the hardware requirements, problems can occur when loading models over 100-150MB

\*\*Some models may not be correctly read because of the limits of this file format